

FIRST FLOOR INT: 2000 ft²
SECOND FLOOR INT: 2150 ft²
BASEMENT: 291 ft²
FRONT DECK: 73 ft²
REAR DECK: 137 ft²
REAR PATIO: 612 ft²
POOL PATIO: 2100 ft²
POOL HOUSE: 153 ft²
GARAGE: 597 ft²
POOL: 900 ft²
TOTAL INT: 4150 ft²



Scale in feet. Indicative only. Dimensions are approximate. All information contained herein is gathered from sources we believe to be reliable. However, we cannot guarantee its accuracy and interested persons should rely on their own inquiries.

19 Jericho Lane, East Hampton

Sotheby's
INTERNATIONAL REALTY



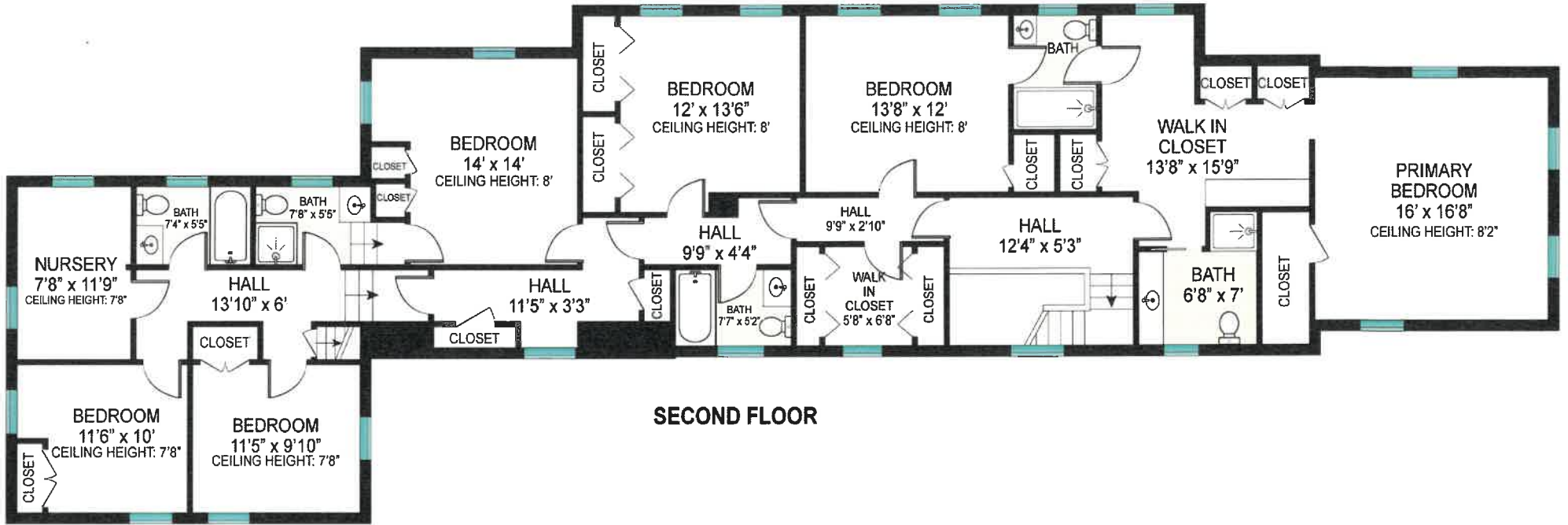
- FIRST FLOOR INT: 2000 ft²
- FRONT DECK: 73 ft²
- REAR DECK: 137 ft²
- REAR PATIO: 612 ft²
- POOL PATIO: 2100 ft²
- POOL HOUSE: 153 ft²
- GARAGE: 597 ft²
- POOL: 900 ft²



Scale in feet. Indicative only. Dimensions are approximate. All information contained herein is gathered from sources we believe to be reliable. However, we cannot guarantee its accuracy and interested persons should rely on their own inquiries.

19 Jericho Lane, East Hampton

Sotheby's
INTERNATIONAL REALTY



SECOND FLOOR

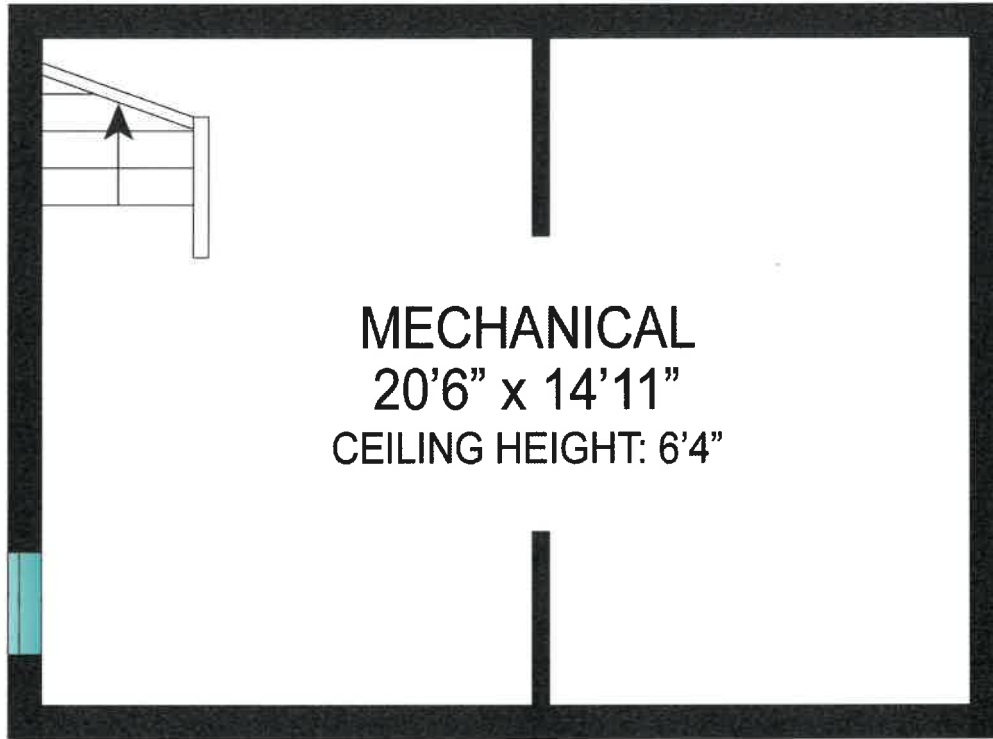
SECOND FLOOR INT: 2150 ft²



Scale in feet. Indicative only. Dimensions are approximate. All information contained herein is gathered from sources we believe to be reliable. However, we cannot guarantee its accuracy and interested persons should rely on their own inquiries.

19 Jericho Lane, East Hampton

Sotheby's
INTERNATIONAL REALTY



BASEMENT

BASEMENT: 291 ft² 

Scale in feet. Indicative only. Dimensions are approximate. All information contained herein is gathered from sources we believe to be reliable. However, we cannot guarantee its accuracy and interested persons should rely on their own inquiries.

19 Jericho Lane, East Hampton

Sotheby's
INTERNATIONAL REALTY